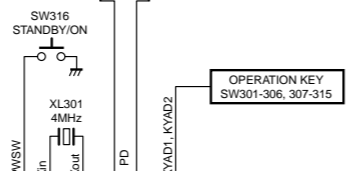
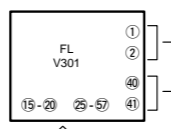
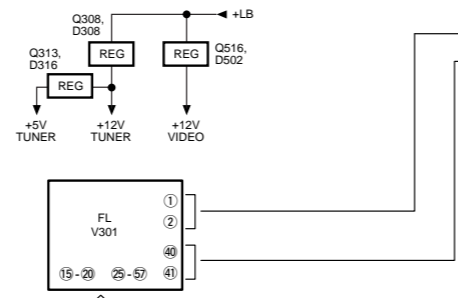


BLOCK DIAGRAM

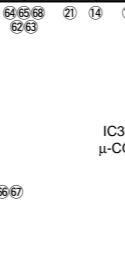
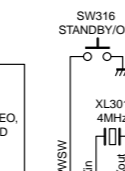
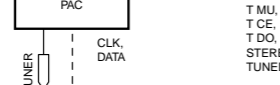
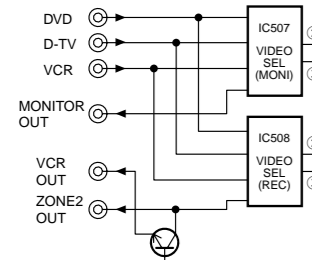
• See page 26, 27 → SCHEMATIC DIAGRAM

OPERATION

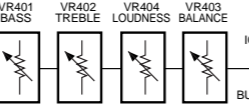
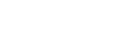
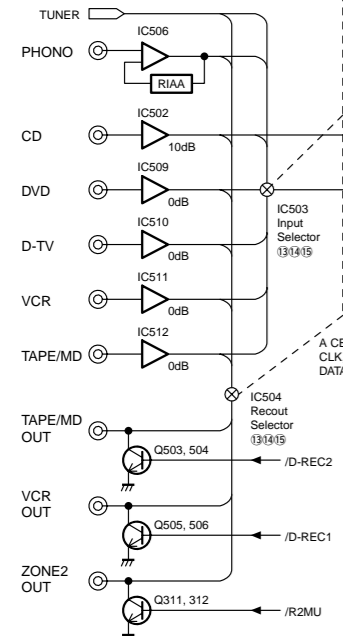


• See page 25 → SCHEMATIC DIAGRAM

INPUT

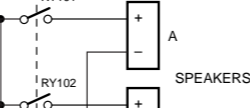
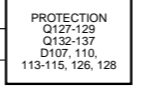
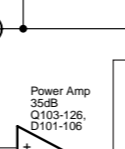
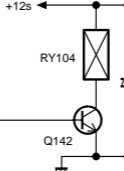
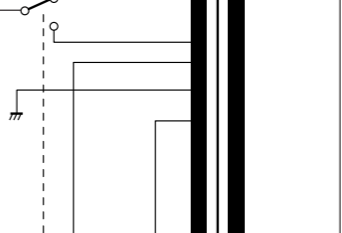
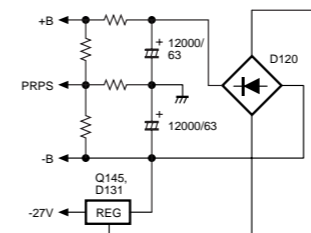
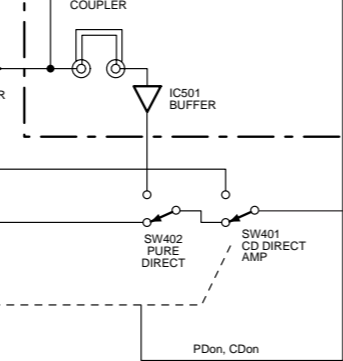


IC506 : EQ AMP
IC502 : CD DIRECT AMP
IC509-512 : BUFFER AMP



• See page 25 → SCHEMATIC DIAGRAM

INPUT



• See page 28 → SCHEMATIC DIAGRAM

MAIN

PARTS LIST

■ ELECTRICAL PARTS

■ WARNING

Components having special characteristics are marked \triangle and must be replaced with parts having specifications equal to those originally installed.

- Carbon resistors (1/6W or 1/4W) are not included in the ELECTRICAL PARTS List. For the parts No. of the carbon resistors, refer to last page.

ABBREVIATIONS IN THIS LIST ARE AS FOLLOWS:

C.A.EL.CHP	: CHIP ALUMI.ELECTROLYTIC CAP	L.EMIT	: LIGHT EMITTING MODULE
C.CE	: CERAMIC CAP	LED.DSPLY	: LED DISPLAY
C.CE.ARRAY	: CERAMIC CAP ARRAY	LED.INFRD	: LED,INFRARED
C.CE.CHP	: CHIP CERAMIC CAP	MODUL.RF	: MODULATOR,RF
C.CE.ML	: MULTILAYER CERAMIC CAP	PHOT.CPL	: PHOTO COUPLER
C.CE.M.CHP	: CHIP MULTILAYER CERAMIC CAP	PHOT.INTR	: PHOTO INTERRUPTER
C.CE.SAFTY	: RECOGNIZED CERAMIC CAP	PHOT.RFLCT	: PHOTO REFLECTOR
C.CE.TUBLR	: CERAMIC TUBULAR CAP	PIN.TEST	: PIN,TEST POINT
C.CE.SMI	: SEMI CONDUCTIVE CERAMIC CAP	PLST.RIVET	: PLASTIC RIVET
C.EL	: ELECTROLYTIC CAP	R.ARRAY	: RESISTOR ARRAY
C.MICA	: MICA CAP	R.CAR.	: CARBON RESISTOR
C.ML.FLM	: MULTILAYER FILM CAP	R.CAR.CHP	: CHIPRESISTOR
C.MP	: METALLIZED PAPER CAP	R.CAR.FP	: FLAME PROOF CARBON RESISTOR
C.MYLAR	: MYLAR FILM CAP	R.FUS	: FUSABLE RESISTOR
C.MYLAR.ML	: MULTILAYER MYLAR FILM CAP	R.MTL.CHP	: CHIP METAL FILM RESISTOR
C.PAPER	: PAPER CAPACITOR	R.MTL.FLM	: METAL FILM RESISTOR
C.PLS	: POLYSTYRENE FILM CAP	R.MTL.OXD	: METAL OXIDE FILM RESISTOR
C.POL	: POLYESTER FILM CAP	R.MTL.PLAT	: METAL PLATE RESISTOR
C.POLY	: POLYETHYLENE FILM CAP	RSNR.CE	: CERAMIC RESONATOR
C.PP	: POLYPROPYLENE FILM CAP	RSNR.CRYS	: CRYSTAL RESONATOR
C.TNTL	: TANTALUM CAP	R.TW.CEM	: TWIN CEMENT FIXED RESISTOR
C.TNTL.CHP	: CHIP TANTALUM CAP	R.WW	: WIRE WOUND RESISTOR
C.TRIM	: TRIMMER CAP	SCR.BND.HD	: BIND HEAD B-TITE SCREW
CN	: CONNECTOR	SCR.BW.HD	: BW HEAD TAPPING SCREW
CN.BS.PIN	: CONNECTOR,BASE PIN	SCR.CUP	: CUP TITE SCREW
CN.CANNON	: CONNECTOR,CANNON	SCR.TERM	: SCREW TERMINAL
CN.DIN	: CONNECTOR,DIN	SCR.TR	: SCREW,TRANSISTOR
CN.FLAT	: CONNECTOR,FLAT CABLE	SUPRT.PCB	: SUPPORT,P.C.B.
CN.POST	: CONNECTOR,BASE POST	SURG.PRTCT	: SURGE PROTECTOR
COIL.MX.AM	: COIL,AM MIX	SW.TACT	: TACT SWITCH
COIL.AT.FM	: COIL,FM ANTENNA	SW.LEAF	: LEAF SWITCH
COIL.DT.FM	: COIL,FM DETECT	SW.LEVER	: LEVER SWITCH
COIL.MX.FM	: COIL,FM MIX	SW.MICRO	: MICRO SWITCH
COIL.OUTPT	: OUTPUT COIL	SW.PUSH	: PUSH SWITCH
DIOD.ARRAY	: DIODE ARRAY	SW.RT.ENC	: ROTARY ENCODER
DIODE.BRG	: DIODE BRIDGE	SW.RT.MTR	: ROTARY SWITCH WITH MOTOR
DIODE.CHP	: CHIP DIODE	SW.RT	: ROTARY SWITCH
DIODE.VAR	: VARACTOR DIODE	SW.SLIDE	: SLIDE SWITCH
DIOD.Z.CHP	: CHIP ZENER DIODE	TERM.SP	: SPEAKER TERMINAL
DIODE.ZENR	: ZENER DIODE	TERM.WRAP	: WRAPPING TERMINAL
DSCR.CE	: CERAMIC DISCRIMINATOR	THRMST.CHP	: CHIP THERMISTOR
FER.BEAD	: FERRITE BEADS	TR.CHP	: CHIP TRANSISTOR
FER.CORE	: FERRITE CORE	TR.DGT	: DIGITAL TRANSISTOR
FET.CHP	: CHIP FET	TR.DGT.CHP	: CHIP DIGITAL TRANSISTOR
FL.DSPLY	: FLUORESCENT DISPLAY	TRANS	: TRANSFORMER
FLTR.CE	: CERAMIC FILTER	TRANS.PULS	: PULSE TRANSFORMER
FLTR.COMB	: COMB FILTER MODULE	TRANS.PWR	: POWER TRANSFORMER ASS'Y
FLTR.LC.RF	: LC FILTER,EMI	TUNER.AM	: TUNER PACK,AM
GND.MTL	: GROUND PLATE	TUNER.FM	: TUNER PACK,FM
GND.TERM	: GROUND TERMINAL	TUNER.PK	: FRONT-ENDTUNER PACK
HOLDER.FUS	: FUSE HOLDER	VR	: ROTARY POTENTIOMETER
IC.PRTCT	: IC PROTECTOR	VR.MTR	: POTENTIOMETER WITH MOTOR
JUMPER.CN	: JUMPER CONNECTOR	VR.SW	: POTENTIOMETER WITH ROTARY SW
JUMPER.TST	: JUMPER,TEST POINT	VR.SLIDE	: SLIDE POTENTIOMETER
L.DTCT	: LIGHT DETECTING MODULE	VR.TRIM	: TRIMMER POTENTIOMETER

Note) Those parts marked with “#” are not included in the P.C.B. ass'y.

P.C.B. INPUT

Schm Ref.	PART NO.	Description		
	V7167900	P. C. B.	INPUT(UCA)	
CB501	VK027000	CN. BS. PIN	11P	
CB502	Vi878900	CN. BS. PIN	11P	
CB503	VK028000	WIRE TRAP	15P SE	
CB504	VQ961300	CN. BS. PIN	10P	
CB505	VQ961200	CN. BS. PIN	9P	
CB507	VQ961100	CN. BS. PIN	8P	
CB511	VQ961100	CN. BS. PIN	8P	
C501	VG278400	C. CE. TUBLR	220pF	50V
C502	VG278400	C. CE. TUBLR	220pF	50V
C503	VG278400	C. CE. TUBLR	220pF	50V
C504	VG278400	C. CE. TUBLR	220pF	50V
C505	VK533900	C. PP	100pF	200V
C506	VK533900	C. PP	100pF	200V
C507	UA655100	C. MYLAR	0.1uF	50V
C508	VF467000	C. CE. TUBLR	1000pF	50V
C509	VF466800	C. CE. TUBLR	100pF	50V
C510	VF466800	C. CE. TUBLR	100pF	50V
C511	VF466800	C. CE. TUBLR	100pF	50V
C512	VF466800	C. CE. TUBLR	100pF	50V
C513	VF466800	C. CE. TUBLR	100pF	50V
C514	VF466800	C. CE. TUBLR	100pF	50V
C515	VF466800	C. CE. TUBLR	100pF	50V
C516	VF466800	C. CE. TUBLR	100pF	50V
C517	VF466800	C. CE. TUBLR	100pF	50V
C518	VF466800	C. CE. TUBLR	100pF	50V
C519	VF466800	C. CE. TUBLR	100pF	50V
C520	VF466800	C. CE. TUBLR	100pF	50V
C521	VF467000	C. CE. TUBLR	1000pF	50V
C522	UN865470	C. EL	0.47uF	50V
C523	UU137100	C. EL	10uF	16V
C524	UU137100	C. EL	10uF	16V
C525	VG287600	C. EL	100uF	25V
C526	VG287600	C. EL	100uF	25V
C527	UU166470	C. EL	4.7uF	50V
C528	UU166470	C. EL	4.7uF	50V
C529	UU118330	C. EL	330uF	6.3V
C530	UU118330	C. EL	330uF	6.3V
C531	VF466900	C. CE. TUBLR	470pF	50V
C532	VF466900	C. CE. TUBLR	470pF	50V
C533	VG287800	C. EL	330uF	16V
C534	VG287800	C. EL	330uF	16V
C535	UU138100	C. EL	100uF	16V
C536	UU138100	C. EL	100uF	16V
C537	UU137100	C. EL	10uF	16V
C538	UU137100	C. EL	10uF	16V
C541	UU137100	C. EL	10uF	16V
C542	UU137100	C. EL	10uF	16V
C543	UA654100	C. MYLAR	0.01uF	50V
C544	UA654100	C. MYLAR	0.01uF	50V
C545	VG287800	C. EL	330uF	16V
C546	VG287800	C. EL	330uF	16V
C547	UU137100	C. EL	10uF	16V
C548	UU137100	C. EL	10uF	16V
C549	UA654100	C. MYLAR	0.01uF	50V
C550	UA654100	C. MYLAR	0.01uF	50V
C553	VG287600	C. EL	100uF	25V
C554	VG287600	C. EL	100uF	25V
C555	UA652220	C. MYLAR	220pF	50V
C556	UA652220	C. MYLAR	220pF	50V
C557	UA655100	C. MYLAR	0.1uF	50V
C558	VF466800	C. CE. TUBLR	100pF	50V
C559	VF466800	C. CE. TUBLR	100pF	50V

* New Parts

Schm Ref.	PART NO.	Description		
C560	UR837100	C. EL	10uF	16V
C561	UR819100	C. EL	1000uF	6.3V
C562	UR837100	C. EL	10uF	16V
C563	UR819100	C. EL	1000uF	6.3V
C564	UR837100	C. EL	10uF	16V
C565	UR819100	C. EL	1000uF	6.3V
C566	VG286300	C. EL	220uF	10V
C567	VG286300	C. EL	220uF	10V
C568	UA654330	C. MYLAR	0.033uF	50V
C569	UA654330	C. MYLAR	0.033uF	50V
C570	UA653910	C. MYLAR	9100pF	50V
C571	UA653910	C. MYLAR	9100pF	50V
C572	UU137100	C. EL	10uF	16V
C573	VG287600	C. EL	100uF	25V
C574	VG287600	C. EL	100uF	25V
C575	VG287200	C. EL	10uF	50V
C576	VG287200	C. EL	10uF	50V
C577	UU137100	C. EL	10uF	16V
C578	UU137100	C. EL	10uF	16V
C579	UA653470	C. MYLAR	4700pF	50V
C580	UA653470	C. MYLAR	4700pF	50V
C581	VJ599100	C. CE. TUBLR	0.1uF	50V
C582	VJ599100	C. CE. TUBLR	0.1uF	50V
C583	UU137100	C. EL	100pF	16V
C584	UU137100	C. EL	10uF	16V
C585	UR837100	C. EL	10uF	16V
C586	UR838330	C. EL	330uF	16V
C587	VF466700	C. CE. TUBLR	47pF	50V
C588	UU137100	C. EL	10uF	16V
C589	UU137100	C. EL	10uF	16V
C590	UU137100	C. EL	10uF	16V
C591	UU137100	C. EL	10uF	16V
C592	UU137100	C. EL	10uF	16V
C593	UU137100	C. EL	10uF	16V
C594	UU137100	C. EL	10uF	16V
C595	UA654100	C. MYLAR	0.01uF	50V
C596	UA654100	C. MYLAR	0.01uF	50V
C597	UR837470	C. EL	47uF	16V
C598	VJ599100	C. CE. TUBLR	0.1uF	50V
C599	UR866100	C. EL	1uF	50V
C600	UR837470	C. EL	47uF	16V
C601	UR837470	C. EL	47uF	16V
C602	VJ599100	C. CE. TUBLR	0.1uF	50V
C603	VJ599100	C. CE. TUBLR	0.1uF	50V
D502	VG440300	DIODE. ZENR	MTZJ12C	12V
△ FR654	VK186700	R. FUS	12	1/4W
IC501	XM356A00	IC	NJM2068LD	
IC502	XA987A00	IC	NJM2068D-D	
IC503	XP894A00	IC	LC78211	
IC504	XP894A00	IC	LC78211	
IC506	XM356A00	IC	NJM2068LD	
IC507	XH436A00	IC	LA7956	
IC508	XH436A00	IC	LA7956	
IC509	XA987A00	IC	NJM2068D-D	
IC510	XA987A00	IC	NJM2068D-D	
IC511	XA987A00	IC	NJM2068D-D	
IC512	XA987A00	IC	NJM2068D-D	
JK501	VJ726800	JACK. MNI		
JK502	VJ726800	JACK. MNI		
L501	VB056900	COIL	220uH	
L502	VB056900	COIL	220uH	
PJ501	VV551500	JACK. PIN	4P	
PJ502	VV551500	JACK. PIN	4P	

* New Parts

P.C.B. INPUT & P.C.B. OPERATION

Schm Ref.	PART NO.	Description		
PJ503	VV551500	JACK.PIN	4P	
PJ504	VV551500	JACK.PIN	4P	
PJ505	VV248000	JACK.PIN	2P	
PJ506	V7496700	JACK.PIN	3P	
PJ508	V7496700	JACK.PIN	3P	
PJ509	VV248000	JACK.PIN	2P	
PJ510	VV248000	JACK.PIN	2P	
PN501	V3750200	PIN	L=70	
PN502	V3750200	PIN	L=70	
Q501	VK432900	TR	2SD1915F S,T	
Q502	VK432900	TR	2SD1915F S,T	
Q503	VK432900	TR	2SD1915F S,T	
Q504	VK432900	TR	2SD1915F S,T	
Q505	VK432900	TR	2SD1915F S,T	
Q506	VK432900	TR	2SD1915F S,T	
Q507	VK432900	TR	2SD1915F S,T	
Q508	VK432900	TR	2SD1915F S,T	
Q509	VG721700	TR.DGT	DTA144ES	
Q510	VD678700	TR.DGT	DTC114ES	
Q514	iC181510	TR	2SC1815 Y	
Q515	iC181510	TR	2SC1815 Y	
Q516	VS826900	TR	2SD2375 Q,P	
Q517	iC174020	TR	2SC1740S R,S	
R556	VP940400	R.MTL.OXD	100 1W	
R557	VP940400	R.MTL.OXD	100 1W	
R566	HV755100	R.CAR.FP	100 1/4W	
R567	HV755100	R.CAR.FP	100 1/4W	
R572	VP940400	R.MTL.OXD	100 1W	
R573	VP940400	R.MTL.OXD	100 1W	
R603	VP940800	R.MTL.OXD	470 1W	
R604	VP940800	R.MTL.OXD	470 1W	
ST501	V5492900	SCR.TERM		
	VR435100	PLATE	W16	
	V7168900	P.C.B.	OPERATION(UC)	
	V7169000	P.C.B.	OPERATION(A)	
CB301	VQ963100	CN.BS.PIN	10P	
CB302	VQ963000	CN.BS.PIN	9P	
CB303	VQ962900	CN.BS.PIN	8P	
CB304	VF728300	CN	6P	
CB305	VN773600	CN.BS.PIN	28P	
CB306	VQ962900	CN.BS.PIN	8P	
CB307	VQ044700	CN.BS.PIN	16P	
CB308	VQ045700	CN.BS.PIN	28P	
CB309	VM859600	CN.BS.PIN	15P	
CB403	VK026900	CN	10P	
CB404	VQ961600	CN	13P	
CB405	VK026600	CN.BS.PIN	7P	
CB406	VQ963400	CN.BS.PIN	13P	
CB407	Vi878500	CN.BS.PIN	7P	
CB408	Vi878600	CN.BS.PIN	8P	
CB409	Vi878300	CN.BS.PIN	5P	
CB410	Vi878400	CN.BS.PIN	6P	
CB411	Vi878300	CN.BS.PIN	5P	
CB412	Vi878400	CN.BS.PIN	6P	
CB414	Vi878400	CN.BS.PIN	6P	
CB415	Vi879300	CN.BS.PIN	15P	
C301	UR818470	C.EL	470uF 6.3V	
C302	UR818470	C.EL	470uF 6.3V	
C303	VJ599100	C.CE.TUBLR	0.1uF 50V	
C304	UM397100	C.EL	10uF 16V	

* New Parts

Schm Ref.	PART NO.	Description		
C305	UM397100	C.EL	10uF 16V	
C306	UR866100	C.EL	1uF 50V	
C307	VU545000	C.EL	47000uF 5.5V	
C308	VJ599100	C.CE.TUBLR	0.1uF 50V	
C309	VJ599100	C.CE.TUBLR	0.1uF 50V	
C310	VF466700	C.CE.TUBLR	47pF 50V	
C311	VF466700	C.CE.TUBLR	47pF 50V	
C312	UR848470	C.EL	470uF 25V	
C313	VD930900	C.CE.SMI	0.1uF 25V	
C314	UR837100	C.EL	10uF 16V	
C315	VF466700	C.CE.TUBLR	47pF 50V	
C316	VF466700	C.CE.TUBLR	47pF 50V	
C318	VJ599100	C.CE.TUBLR	0.1uF 50V	
C319	UR838330	C.EL	330uF 16V	
C320	VJ599100	C.CE.TUBLR	0.1uF 50V	
C321	UR865330	C.EL	0.33uF 50V	
C322	VJ599100	C.CE.TUBLR	0.1uF 50V	
C325	UN865470	C.EL	0.47uF 50V	
C326	UR837100	C.EL	10uF 16V	
C327	UR866220	C.EL	2.2uF 50V	
C328	VF466700	C.CE.TUBLR	47pF 50V	
C330	UN865470	C.EL	0.47uF 50V	
C331	UN865470	C.EL	0.47uF 50V	
C332	UR837100	C.EL	10uF 16V	
C333	UR837100	C.EL	10uF 16V	
C334	UR838100	C.EL	100uF 16V	
C335	UR838100	C.EL	100uF 16V	
C336	UM388100	C.EL	100uF 10V	
C401	VG287800	C.EL	330uF 16V	
C402	VG287800	C.EL	330uF 16V	
C403	FG651470	C.CE	47pF 50V	
C404	FG651470	C.CE	47pF 50V	
C405	UU165470	C.EL	0.47uF 50V	
C406	UU165470	C.EL	0.47uF 50V	
C407	UU166100	C.EL	1uF 50V	
C408	UU166100	C.EL	1uF 50V	
C409	VF466700	C.CE.TUBLR	47pF 50V	
C410	VF466700	C.CE.TUBLR	47pF 50V	
C411	UU137100	C.EL	10uF 16V	
C412	UU137100	C.EL	10uF 16V	
C413	UA652100	C.MYLAR	100pF 50V	
C414	UA652100	C.MYLAR	100pF 50V	
C415	UR848470	C.EL	470uF 25V	
C416	UA655120	C.MYLAR	0.12uF 50V	
C417	UA655120	C.MYLAR	0.12uF 50V	
C418	UA655120	C.MYLAR	0.12uF 50V	
C419	UA655120	C.MYLAR	0.12uF 50V	
C420	UN866100	C.EL	1uF 50V	
C421	VJ599100	C.CE.TUBLR	0.1uF 50V	
C422	UA654330	C.MYLAR	0.033uF 50V	
C423	UA654330	C.MYLAR	0.033uF 50V	
C424	VG278900	C.CE.TUBLR	680pF 50V	
C425	VG278900	C.CE.TUBLR	680pF 50V	
C426	UA654560	C.MYLAR	0.056uF 50V	
C427	UA654560	C.MYLAR	0.056uF 50V	
C428	UA654100	C.MYLAR	0.01uF 50V	
C429	UA654100	C.MYLAR	0.01uF 50V	
C430	UA654100	C.MYLAR	0.01uF 50V	
C431	UA655100	C.MYLAR	0.1uF 50V	
C432	UU137100	C.EL	10uF 16V	
C433	UU137100	C.EL	10uF 16V	
C434	VG287600	C.EL	100uF 25V	
C435	VG287600	C.EL	100uF 25V	

* New Parts

P.C.B. OPERATION & P.C.B. MAIN

Schm Ref.	PART NO.	Description
D301	VD631600	D1ODE 1SS133, 176
D302	VD631600	D1ODE 1SS133, 176
D303	VM974200	D1ODE.ZENR HZS5C2TD 5.0V
D304	VM974600	D1ODE.ZENR HZS7A2TD 7.0V
D305	VD631600	D1ODE 1SS133, 176
D306	VD631600	D1ODE 1SS133, 176
D307	VD631600	D1ODE 1SS133, 176
D308	VG440300	D1ODE.ZENR MTZJ12C 12V
D309	VD631600	D1ODE 1SS133, 176
D310	VM974000	D1ODE.ZENR HZS5A2TD 5.0V
D311	VM974000	D1ODE.ZENR HZS5A2TD 5.0V
D312	VM973800	D1ODE.ZENR HZS4B2TD 4.0V
D313	VD631600	D1ODE 1SS133, 176
D314	VP489100	LED SIR-481ST3F
D315	VM974300	D1ODE.ZENR HZS6A2TD 6.0V
D316	VM974400	D1ODE.ZENR HZS6B2TD 6.0V
D317	VD631600	D1ODE 1SS133, 176
D404	VM974200	D1ODE.ZENR HZS5C2TD 5.0V
FR441	VK186700	R. FUS 12 1/4W
IC301	XZ820A00	IC M38B57M6-172FP CPU
IC302	XA987A00	IC NJM2068D-D
IC401	XM356A00	IC NJM2068LD
IC405	XF494A00	IC LB1641
IC406	XM356A00	IC NJM2068LD
JK401	V4478300	JACK.PHONE JY-6317Y-03-030
PN301	V3750200	PIN L=70
PN302	V3750200	PIN L=70
PN401	V3750200	PIN L=70
PN402	V3750200	PIN L=70
Q301	VG721700	TR. DGT DTA144ES
Q302	VG721700	TR. DGT DTA144ES
Q303	VG721700	TR. DGT DTA144ES
Q304	VG721700	TR. DGT DTA144ES
Q305	iA093320	TR 2SA933S Q,R
Q306	VP872700	TR 2SC4488 S,T
Q307	iC174020	TR 2SC1740S R,S
Q308	VS826900	TR 2SD2375 Q,P
Q309	VG721700	TR. DGT DTA144ES
Q310	VG721700	TR. DGT DTA144ES
Q311	VK432900	TR 2SD1915F S,T
Q312	VK432900	TR 2SD1915F S,T
Q313	VP872700	TR 2SC4488 S,T
Q315	VG721700	TR. DGT DTA144ES
Q316	VG721700	TR. DGT DTA144ES
Q401	VD678700	TR. DGT DTC114ES
R216	HV753220	R. CAR. FP 2.2 1/4W
R397	HV755100	R. CAR. FP 100 1/4W
R398	HV755100	R. CAR. FP 100 1/4W
R401	VP940800	R. MTL. OXD 470 1W
R402	VP940800	R. MTL. OXD 470 1W
R427	HV754100	R. CAR. FP 10 1/4W
ST401	V5492900	SCR. TERM
SW301	V2014900	SW. TACT EVQ21304M
SW302	V2014900	SW. TACT EVQ21304M
SW303	V2014900	SW. TACT EVQ21304M
SW304	V2014900	SW. TACT EVQ21304M
SW305	V2014900	SW. TACT EVQ21304M
SW306	V2014900	SW. TACT EVQ21304M
SW307	V2014900	SW. TACT EVQ21304M
SW308	V2014900	SW. TACT EVQ21304M
SW309	V2014900	SW. TACT EVQ21304M
SW310	V2014900	SW. TACT EVQ21304M
SW311	V2014900	SW. TACT EVQ21304M

* New Parts

Schm Ref.	PART NO.	Description
SW312	V2014900	SW. TACT EVQ21304M
SW313	V2014900	SW. TACT EVQ21304M
SW314	V2014900	SW. TACT EVQ21304M
SW315	V2014900	SW. TACT EVQ21304M
SW316	V2014900	SW. TACT EVQ21304M
SW317	V6509400	SW. RT SRBV170500
SW318	V6994900	SW. RT. ENC EC16B12204
SW401	VV399800	SW. PUSH SPUN12
SW402	VV399800	SW. PUSH SPUN12
SW403	V6994800	SW. PUSH SPUP22 2
U301	VU591000	L. DTCT GP1U271X
V301	V6994700	FL. DSPLY 13-BT-181GK
VR401	VP741800	VR B20K
VR402	VP741900	VR G25K
VR403	VP742000	VR MN100K
VR404	VP700700	VR A100K
VR405	V7018900	VR. MTR RK-16814MGL A200K
XL301	VD827600	RSNR. CE 4MHz
	VR519500	SHEET. FL GD
	VR380100	SPACER FL-T6
	V7168600	P. C. B. MAIN(UC)
	V7168800	P. C. B. MAIN(A)
CB102	VK025200	CN. BS. PIN 8P
CB103	Vi878100	CN. BS. PIN 3P
CB104	VK026200	CN. BS. PIN 3P
CB105	VG879900	CN. BS. PIN 2P
CB111	VP206500	HOLDER. FUS EYF-52BCT
CB112	VP206500	HOLDER. FUS EYF-52BCT
CB121	Vi878800	CN. BS. PIN 10P
CB124	VQ044700	CN. BS. PIN 16P
CB125	Vi878200	CN. BS. PIN 4P
CB126	Vi878200	CN. BS. PIN 4P
CB127	Vi879100	CN. BS. PIN 13P
CB128	Vi879100	CN. BS. PIN 13P
CB131	Vi878900	CN. BS. PIN 11P
CB132	Vi878900	CN. BS. PIN 11P
C101	UU167100	C. EL 10uF 50V
C102	UU167100	C. EL 10uF 50V
C103	VK533800	C. PP 47pF 200V
C104	VK533800	C. PP 47pF 200V
C105	UT653100	C. PP 1000pF 100V
C106	UT653100	C. PP 1000pF 100V
C107	UU168220	C. EL 220uF 50V
C108	UU168220	C. EL 220uF 50V
C109	FU451150	C. MICA 15pF 500V
C110	FU451150	C. MICA 15pF 500V
C111	VK533900	C. PP 100pF 200V
C112	VK533900	C. PP 100pF 200V
C113	VK533900	C. PP 100pF 200V
C114	VK533900	C. PP 100pF 200V
C115	UU137470	C. EL 47uF 16V
C116	UU137470	C. EL 47uF 16V
C117	UT454270	C. PP 0.027uF 100V
C118	UT454270	C. PP 0.027uF 100V
C119	UA654100	C. MYLAR 0.01uF 50V(A)
C120	UA654100	C. MYLAR 0.01uF 50V(A)
C121	UA654100	C. MYLAR 0.01uF 50V(A)
C122	UA654100	C. MYLAR 0.01uF 50V(A)
C125	VG290800	C. EL 4.7uF 63V
C126	UJ895220	C. EL 0.22uF 100V

* New Parts

RX-777

P.C.B. MAIN

P.C.B. MAIN

Schm Ref.	PART NO.	Description
C127	UN865470	C.EL 0.47uF 50V
C128	VK534000	C.PP 220pF 200V
C130	VK347900	C.EL 470uF 63V
C131	VK347900	C.EL 470uF 63V
C132	VG287800	C.EL 330uF 16V
C133	VG287800	C.EL 330uF 16V
C134	VG287500	C.EL 47uF 50V
C135	VG287500	C.EL 47uF 50V
C136	VG286200	C.EL 100uF 10V
C139	UR749330	C.EL 3300uF 25V
C140	UR848470	C.EL 470uF 25V
C141	V2922200	C.EL 12000uF 63V
C142	V2922200	C.EL 12000uF 63V
C143	VR324900	C.MYLAR 0.1uF 100V
C144	VR324900	C.MYLAR 0.1uF 100V
C151	UR848330	C.EL 330uF 25V
C152	UA653100	C.MYLAR 1000pF 50V
C153	VK398900	C.MYLAR.ML 0.15uF 50V
C154	VK398900	C.MYLAR.ML 0.15uF 50V
C155	UA654820	C.MYLAR 0.082uF 50V
C156	UA654820	C.MYLAR 0.082uF 50V
C157	V3501400	C.CE.SAFETY 0.01uF 275V
C159	VK534100	C.PP 0.01uF 100V
C160	UA655100	C.MYLAR 0.1uF 50V
C161	UA655100	C.MYLAR 0.1uF 50V
C162	UA654100	C.MYLAR 0.01uF 50V(A)
C163	UA654100	C.MYLAR 0.01uF 50V(A)
C164	VK533900	C.PP 100pF 200V
C165	VK533900	C.PP 100pF 200V
C166	VK534000	C.PP 220pF 200V
C167	VK534000	C.PP 220pF 200V
C168	VK534100	C.PP 0.01uF 100V(A)
C169	VK534100	C.PP 0.01uF 100V(A)
C202	UJ866470	C.EL 4.7uF 50V
C203	UJ866470	C.EL 4.7uF 50V
D101	VD631600	D1ODE 1SS133, 176
D102	VD631600	D1ODE 1SS133, 176
D103	VD631600	D1ODE 1SS133, 176
D104	VD631600	D1ODE 1SS133, 176
D105	VD631600	D1ODE 1SS133, 176
D106	VD631600	D1ODE 1SS133, 176
D107	VN008700	D1ODE 1SS270A
D108	VN008700	D1ODE 1SS270A
D109	VD631600	D1ODE 1SS133, 176
D110	VD631600	D1ODE 1SS133, 176
D111	VU264100	D1ODE 1SR139-400
D112	VU264100	D1ODE 1SR139-400
D113	VD631600	D1ODE 1SS133, 176
D114	VD631600	D1ODE 1SS133, 176
D115	VD631600	D1ODE 1SS133, 176
D116	VU264100	D1ODE 1SR139-400
D117	VU264100	D1ODE 1SR139-400
D118	VU264100	D1ODE 1SR139-400
D119	VU264100	D1ODE 1SR139-400
D120	VM702000	D1ODE.BRG S5VB20 3.5A 200V
D121	VG441000	D1ODE.ZENR MTZJ16A 16V
D122	VG441000	D1ODE.ZENR MTZJ16A 16V
D123	VD631600	D1ODE 1SS133, 176
D125	VU264100	D1ODE 1SR139-400
D127	VU264100	D1ODE 1SR139-400
D131	VG443100	D1ODE.ZENR MTZJ27D 27V
F101	KB000690	FUSE T2.5A 250V(A)
F101	VS823100	FUSE 6.0A 125V(UC)

△
△
△
△
△

* New Parts

Note) Those parts marked with "#" are not included in the P.C.B. Ass'y.

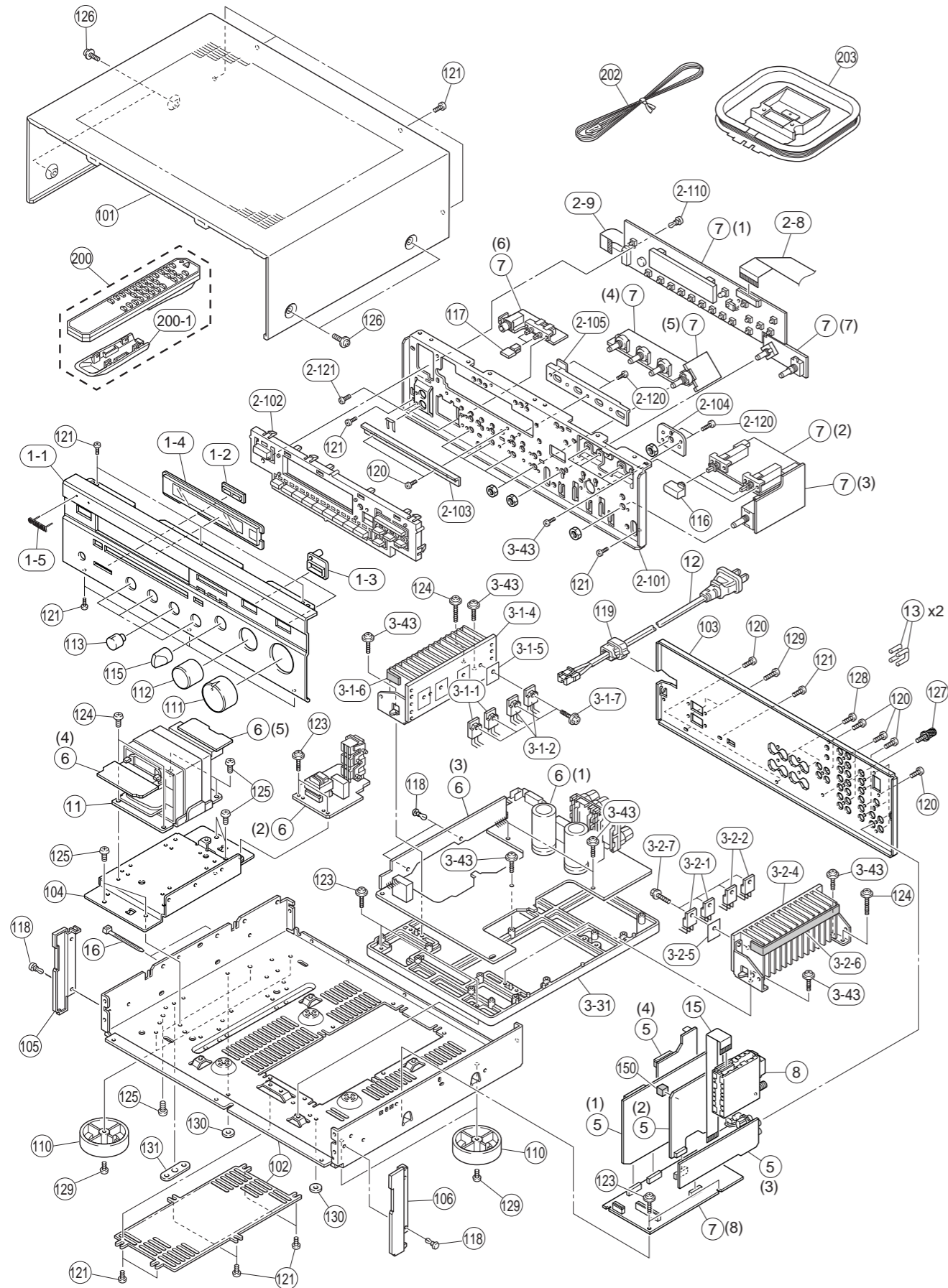
Schm Ref.	PART NO.	Description
△ FR101	VK188200	R.FUS 220 1/4W
△ FR102	VK188200	R.FUS 220 1/4W
L101	VR906600	COIL 0.95uH
L102	VR906600	COIL 0.95uH
PN101	V3750200	PIN L=70
PN102	V3750200	PIN L=70
Q101	VK432900	TR 2SD1915F S,T
Q102	VK432900	TR 2SD1915F S,T
Q103	iA097030	TR 2SA970 GR,BL
Q104	iA097030	TR 2SA970 GR,BL
Q105	iA097030	TR 2SA970 GR,BL
Q106	iA097030	TR 2SA970 GR,BL
Q107	iC181510	TR 2SC1815 Y
Q108	iC181510	TR 2SC1815 Y
Q109	iC181510	TR 2SC1815 Y
Q110	iC181510	TR 2SC1815 Y
△ Q111	VE198700	TR 2SA1145 O,Y
△ Q112	VE198700	TR 2SA1145 O,Y
△ Q113	iA101510	TR 2SA1015 Y
△ Q114	iA101510	TR 2SA1015 Y
△ Q115	VE198800	TR 2SC2705 O,Y
△ Q116	VE198800	TR 2SC2705 O,Y
△ Q117	VK432900	TR 2SD1915F S,T
△ Q118	VK432900	TR 2SD1915F S,T
△ Q119A	iX603580	TR.PAIR 2SA1358 O,Y
△ Q119C	iX603590	TR.PAIR 2SC3421 O,Y
△ Q120A	iX603580	TR.PAIR 2SA1358 O,Y
△ Q120C	iX603590	TR.PAIR 2SC3421 O,Y
# △ Q121A	iX615750	TR.PAIR 2SA1694 O,P,Y
# △ Q121C	iX615760	TR.PAIR 2SC4467 O,P,Y
# △ Q122A	iX615750	TR.PAIR 2SA1694 O,P,Y
# △ Q122C	iX615760	TR.PAIR 2SC4467 O,P,Y
# △ Q123A	iX615750	TR.PAIR 2SA1694 O,P,Y
# △ Q123C	iX615760	TR.PAIR 2SC4467 O,P,Y
# △ Q124A	iX615750	TR.PAIR 2SA1694 O,P,Y
# △ Q124C	iX615760	TR.PAIR 2SC4467 O,P,Y
△ Q125	VP883000	TR 2SA893A D,E
△ Q126	VP883000	TR 2SA893A D,E
Q127	VP883100	TR 2SC1890A D,E
Q128	VP883100	TR 2SC1890A D,E
△ Q129	VP883000	TR 2SA893A D,E
△ Q130	VS826900	TR 2SD2375 Q,P
△ Q131	VP872600	TR 2SA1708 S,T
Q134	VP883100	TR 2SC1890A D,E
Q135	VF325300	TR.DGT DTA123ESTP
Q136	VF325300	TR.DGT DTA123ESTP
Q137	VF325300	TR.DGT DTA123ESTP
Q142	iC174020	TR 2SC1740S R,S
Q143	VP883100	TR 2SC1890A D,E
Q144	VP883100	TR 2SC1890A D,E
Q145	VE198700	TR 2SA1145 O,Y
△ R111	V3873200	R.WW 0.22 3W
△ R112	V3873200	R.WW 0.22 3W
△ R125	VP940400	R.MTL.OXD 100 1W
△ R126	VP940400	R.MTL.OXD 100 1W
△ R127	VP940400	R.MTL.OXD 100 1W
△ R128	VP940400	R.MTL.OXD 100 1W
△ R129	HV756270	R.CAR.FP 2.7K 1/4W
△ R130	HV756270	R.CAR.FP 2.7K 1/4W
△ R131	HV755820	R.CAR.FP 820 1/4W
△ R132	HV755820	R.CAR.FP 820 1/4W

* New Parts

Schm Ref.	PART NO.	Description
R133	HV755270	R.CAR.FP 270 1/4W
R134	HV755270	R.CAR.FP 270 1/4W
△ R135	V3873200	R.WW 0.22 3W
△ R136	V3873200	R.WW 0.22 3W
△ R143	VP939800	R.MTL.OXD 10 1W
△ R144	VP939800	R.MTL.OXD 10 1W
R145	HV753470	R.CAR.FP 4.7 1/4W
R146	HV753470	R.CAR.FP 4.7 1/4W
△ R151	VP940200	R.MTL.OXD 47 1W
△ R152	VP940200	R.MTL.OXD 47 1W
△ R154	VP941000	R.MTL.OXD 680 1W
△ R167	VP941000	R.MTL.OXD 680 1W
△ R168	VP941000	R.MTL.OXD 680 1W
△ R171	HV753100	R.CAR.FP 1 1/4W
△ R172	HV753100	R.CAR.FP 1 1/4W
△ R175	HV755680	R.CAR.FP 680 1/4W
R176	HV755680	R.CAR.FP 680 1/4W
△ R177	VP940800	R.MTL.OXD 470 1W
△ R178	VP940800	R.MTL.OXD 470 1W
R187	VP939700	R.MTL.FLM 4.7 1W
R188	VP939700	R.MTL.FLM 4.7 1W
R189	VP939700	R.MTL.FLM 4.7 1W
R190	VP939700	R.MTL.FLM 4.7 1W
R191	VP939700	R.MTL.FLM 4.7 1W
R192	VP939700	R.MTL.FLM 4.7 1W
R193	VP939700	R.MTL.FLM 4.7 1W
R194	VP939700	R.MTL.FLM 4.7 1W
△ R197	VP940900	R.MTL.OXD 560 1W
△ R198	VP940900	R.MTL.OXD 560 1W
R207	VP939700	R.MTL.FLM 4.7 1W(A)
R208	VP939700	R.MTL.FLM 4.7 1W(A)
R217	HV756220	R.CAR.FP 2.2K 1/4W
R221	HV755100	R.CAR.FP 100 1/4W
R222	HV755100	R.CAR.FP 100 1/4W
R223	VS267200	R.MTL.OXD 82 1W
R224	HV756220	R.CAR.FP 2.2K 1/4W
RY101	V6322600	RELAY DH24D2-OT(M)-SL
RY102	V6322600	RELAY DH24D2-OT(M)-SL
* RY103	V5966300	RELAY DS24D2-OS(M)
RY104	V6017400	RELAY SDT-S-112LMR2
ST101	V5492900	SCR.TERM
SW101	V4104200	SW.SLIDE SL13B-022-AMCS
△ T101	XW606A00	TRANS.PWR (UC)
△ T101	XW608A00	TRANS.PWR (A)
TE101	V5912300	TERM.SP 6P LTS0810
TE103	VT915000	OUTLET.AC 2P(A)
TE103	VU543100	OUTLET.AC 2P(UC)
	BB070700	GND.MTL

* New Parts

EXPLODED VIEW



MECHANICAL PARTS

Ref. No.	PART NO.	Description	Remarks	Markets
* 1-1	V6537500	FRONT PANEL		BL
1-2	VQ793400	BUTTON GUIDE	2P	BL
1-3	VH816700	BUTTON GUIDE	10x25	BL
* 1-4	V7505500	WINDOW PANEL, LID		
1-5	V6034100	EMBLEM		BL
* 2-8	MF128350	FLEXIBLE FLAT CABLE	28P 350mm P=1.25	
* 2-9	MF116250	FLEXIBLE FLAT CABLE	16P 250mm	
2-101	VS586400	SUB CHASSIS		
2-102	VS586200	CASE, BUTTON		BL
* 2-103	V6537200	FRAME/BUTTON		
* 2-104	V6537300	SPACER/INPUT		
* 2-105	V6537400	SPACER/TONECON		
2-110	VQ368600	PUSH RIVET	P3555-B	
2-120	EP600830	BIND HEAD B-TITE SCREW	3x8 MFC2-BL	
2-121	EG330030	BIND HEAD SCREW	3x6 FCRM3-BL	
# Δ 3-1-1	IX615750	PAIR TRANSISTOR	2SA1694 O,P,Y	Q121A,Q123A
# Δ 3-1-2	IX615760	PAIR TRANSISTOR	2SC4467 O,P,Y	Q121C,Q123C
3-1-4	VY732600	HEAT SINK ASS Y		
3-1-5	VV849300	SHEET	19x24	
3-1-6	VP922500	DAMPER	2x10x170	
3-1-7	VK173200	SCREW, TRANSISTOR	3x15 SP FCM3	
# Δ 3-2-1	IX615750	PAIR TRANSISTOR	2SA1694 O,P,Y	Q122A,Q124A
# Δ 3-2-2	IX615760	PAIR TRANSISTOR	2SC4467 O,P,Y	Q122C,Q124C
3-2-4	VY732600	HEAT SINK ASS Y		
3-2-5	VV849300	SHEET	19x24	
3-2-6	VP922500	DAMPER	2x10x170	
3-2-7	VK173200	SCREW, TRANSISTOR	3x15 SP FCM3	
3-31	VS586500	CHASSIS		
3-43	VB770200	PW HEAD P-TITE SCREW	3x10-8 FCM3	
* 5	V7167900	P.C.B. ASS Y	INPUT	UC
* 6	V7168600	P.C.B. ASS Y	MAIN	A
* 6	V7168800	P.C.B. ASS Y	MAIN	UC
* 7	V7168900	P.C.B. ASS Y	OPERATION	A
* 7	V7169000	P.C.B. ASS Y	OPERATION	UC
* 8	V6782300	AM/FM TUNER	TFCE1U115A U,C	A
* 8	V6782400	AM/FM TUNER	TFCE1E317A A,B,G	UC
* Δ 11	XZ861A00	POWER TRANSFORMER		A
* Δ 11	XZ862A00	POWER TRANSFORMER		U
* Δ 11	XZ863A00	POWER TRANSFORMER		C
* Δ 12	V2296800	POWER CORD ASS Y		A
* Δ 12	V2363800	POWER CORD ASS Y		A
13	VQ194100	SHORT PLUG	CNT31-0083 1pc	UC
* 15	MF115140	FLEXIBLE FLAT CABLE	15P 140mm	
16	VU590000	BINDING TIE	CBTD001B	
101	VV121300	TOP COVER		BL
102	VY758300	CHASSIS		
* 103	V6536800	REAR PANEL		U
* 103	V6536900	REAR PANEL		C
* 103	V6537000	REAR PANEL		A
104	VS586600	FRAME, PCB		
* 105	V6540700	PLATE SIDE L		BL
* 106	V6540800	PLATE SIDE R		BL
110	VS025000	LEG	D60xH21	BL

* New Parts

Ref. No.	PART NO.	Description	Remarks	Markets	
*	111	V7061700	KNOB/D40	BL	
*	112	V7061900	KNOB/D30	BL	
	113	V4172000	KNOB	BL	
	115	VS587200	KNOB, SEL	D18	BL
	116	VQ780000	BUTTON	10x25	BL
	117	VQ779000	BUTTON	3x14	BL
	118	VQ368600	PUSH RIVET	P3555-B	
	119	V2438700	CORD STOPPER	10P1	
	120	VN413300	BIND HEAD BONDING B-T. SCREW	3x8 MFZN2-BL	
	121	EP600830	BIND HEAD B-TITE SCREW	3x8 MFC2-BL	
	123	VT669300	PW HEAD B-TITE SCREW	3x8-8 MFC2	
	124	VT669400	PW HEAD B-TITE SCREW	3x15-8 MFC2	
	125	V2728500	BIND HEAD S-TITE SCREW	4x7 MFZN2-BL	
	126	21991500	PW HEAD S-TITE SCREW	4x8-10 FCRM3-BL	BL
	127	AA627310	GROUND TERMINAL		
	128	VY731200	BONDING HEAD TAPPING SCREW	3x10 MFN133	
	129	EP600250	BIND HEAD B-TITE SCREW	3x8 ZMC2-Y	
	130	VU984400	RING	D14	
	131	V2064200	DAMPER		
	150	VZ679700	DAMPER	T8/PCB	
		ACCESSORIES			
*	200	V6893700	REMOTE CONTROL TRANSMITTER	RAX11	
	200-1	AAX13340	LID	BLJYE 60050001	60050001
	202	V6267000	ANTENNA, FM	1.4m 1pc	UC
	202	VQ147100	ANTENNA, FM	1.4m 1pc	A
	203	VR248500	ANTENNA, AM LOOP	1.0m 1pc	
		BATTERY, MANGANESE	SUM-3,AA,R06		

* New Parts

Parts List for Carbon Resistors

Value	1/4W Type Part No.	1/6W Type Part No.	Value	1/4W Type Part No.	1/6W Type Part No.
1.0 Ω	HJ35 3100	HF85 3100	10 kΩ	HF45 7100	HF45 7100
1.8 Ω	HJ35 3180	*	11 kΩ	HF45 7110	HF45 7110
2.2 Ω	HJ35 3220	HF85 3220	12 kΩ	HJ35 7120	HF85 7120
3.3 Ω	HJ35 3330	HF85 3330	13 kΩ	HF45 7130	HF45 7130
4.7 Ω	HJ35 3470	HF85 3470	15 kΩ	HF45 7150	HF45 7150
5.6 Ω	HJ35 3560	HF85 3560	18 kΩ	HF45 7180	HF45 7180
10 Ω	HF45 4100	HF45 4100	22 kΩ	HF45 7220	HF45 7220
15 Ω	HJ35 4150	HF85 4150	24 kΩ	HF45 7240	HF45 7240
22 Ω	HF45 4220	HF45 4220	27 kΩ	HJ35 7270	HF85 7270
27 Ω	HJ35 4270	HF85 4270	30 kΩ	HF45 7300	HF45 7300
33 Ω	HF45 4330	HF45 4330	33 kΩ	HF45 7330	HF45 7330
39 Ω	HJ35 4470	HF85 4390	36 kΩ	HF45 7360	HF45 7360
47 Ω	HF45 4470	HF45 4470	39 kΩ	HF45 7390	HF45 7390
56 Ω	HF45 4560	HF45 4560	47 kΩ	HF45 7470	HF45 7470
68 Ω	HF45 4680	HF45 4680	51 kΩ	HF45 7510	HF45 7510
75 Ω	HF45 4750	HF45 4750	56 kΩ	HF45 7560	HF45 7560
82 Ω	HF45 4820	HF45 4820	62 kΩ	HF45 7620	HF45 7620
91 Ω	HF45 4910	HF45 4910	68 kΩ	HF45 7680	HF45 7680
100 Ω	HF45 5100	HF45 5100	82 kΩ	HF45 7820	HF45 7820
110 Ω	HJ35 5110	HF85 5110	91 kΩ	HF45 7910	HF45 7910
120 Ω	HF45 5120	HF45 5120	100 kΩ	HF45 8100	HF45 8100
150 Ω	HF45 5150	HF45 5150	110 kΩ	HF45 8110	HF45 8110
160 Ω	HJ35 5160	*	120 kΩ	HF45 8120	HF45 8120
180 Ω	HF45 5180	HF45 5180	150 kΩ	HF45 8150	HF45 8150
200 Ω	HF45 5200	HF45 5200	180 kΩ	HF45 8180	HF45 8180
220 Ω	HF45 5220	HF45 5220	220 kΩ	HJ35 8220	HF85 8220
270 Ω	HF45 5270	HF45 5270	270 kΩ	HF45 8270	HF45 8270
330 Ω	HF45 5330	HF45 5330	300 kΩ	HF45 8300	HF45 8300
390 Ω	HF45 5390	HF45 5390	330 kΩ	HF45 8330	HF45 8330
430 Ω	HF45 5430	HF45 5430	390 kΩ	HJ35 8390	HF85 8390
470 Ω	HF45 5470	HF45 5470	470 kΩ	HF45 8470	HF45 8470
510 Ω	HF45 5510	HF45 5510	560 kΩ	HJ35 8560	HF85 8560
560 Ω	HF45 5560	HF45 5560	680 kΩ	HJ35 8680	HF85 8680
680 Ω	HF45 5680	HF45 5680	820 kΩ	HJ35 8820	HF85 8820
820 Ω	HF45 5820	HF45 5820	1.0 MΩ	HF45 9100	HF45 9100
910 Ω	HF45 5910	HF45 5910	1.2 MΩ	HJ35 9120	*
1.0 kΩ	HF45 6100	HF45 6100	1.5 MΩ	HJ35 9150	HF85 9150
1.2 kΩ	HF45 6120	HF45 6120	1.8 MΩ	HJ35 9180	HF85 9180
1.5 kΩ	HF45 6150	HF45 6150	2.2 MΩ	HJ35 9220	HF85 9220
1.8 kΩ	HF45 6180	HF45 6180	3.3 MΩ	HJ35 9330	HF85 9330
2.0 kΩ	HJ35 6200	HF85 6200	3.9 MΩ	HJ35 9390	*
2.2 kΩ	HF45 6220	HF45 6220	4.7 MΩ	HJ35 9470	HF85 9470
2.4 kΩ	HJ35 6240	HF85 6240			
2.7 kΩ	HF45 6270	HF45 6270			
3.0 kΩ	HF45 6300	HF45 6300			
3.3 kΩ	HF45 6330	HF45 6330			
3.6 kΩ	HJ35 6360	HF85 6360			
3.9 kΩ	HF45 6390	HF45 6390			
4.7 kΩ	HF45 6470	HF45 6470			
5.1 kΩ	HF45 6510	HF45 6510			
5.6 kΩ	HF45 6560	HF45 6560			
6.8 kΩ	HF45 6680	HF45 6680			
8.2 kΩ	HF45 6820	HF45 6820			
9.1 kΩ	HF45 6910	HF45 6910			

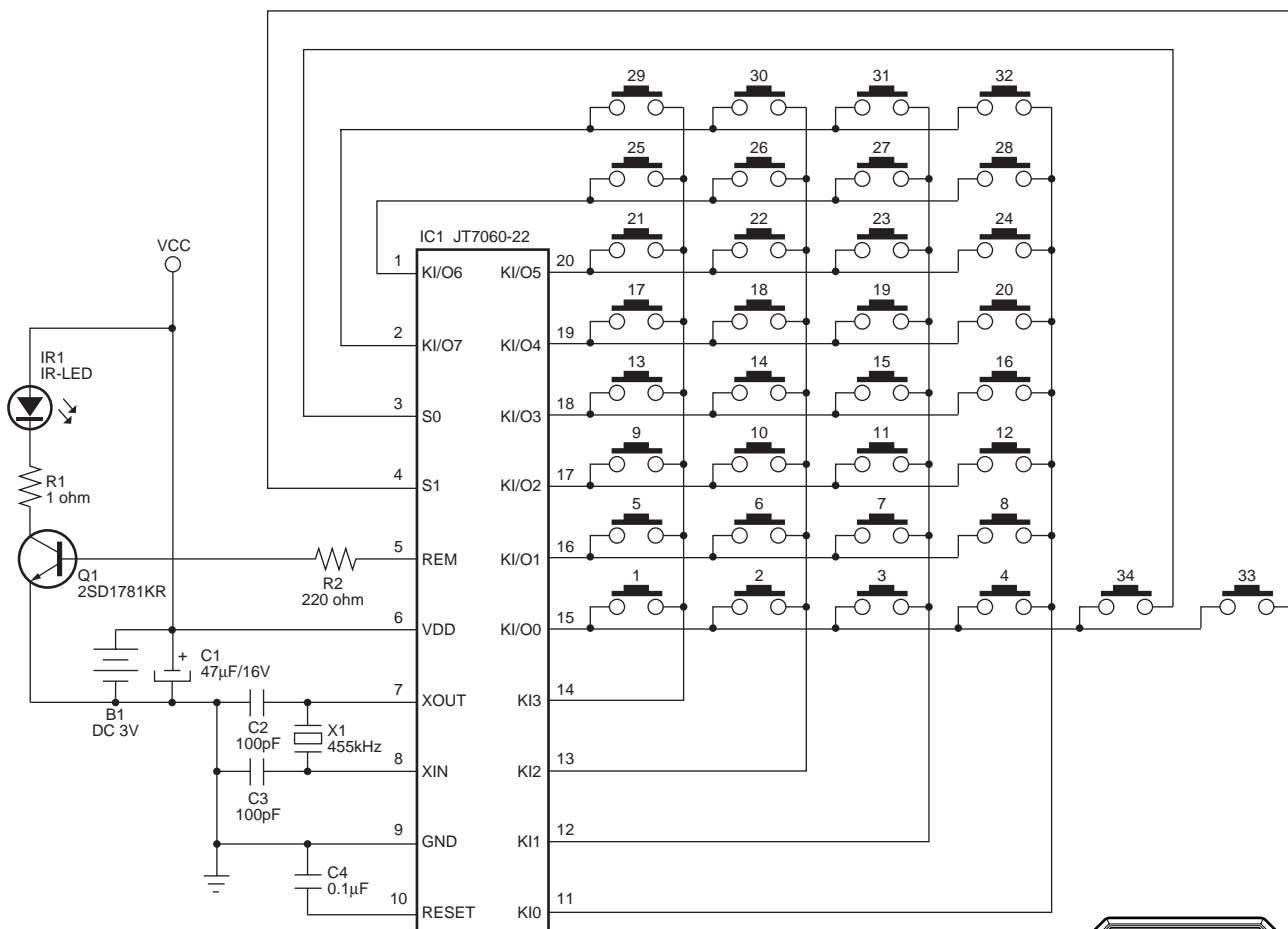
1/4W Type

1/4W Type
HF45 ○○○○

1/6W Type
HF85 ○○○○

1 ■ REMOTE CONTROL TRANSMITTER

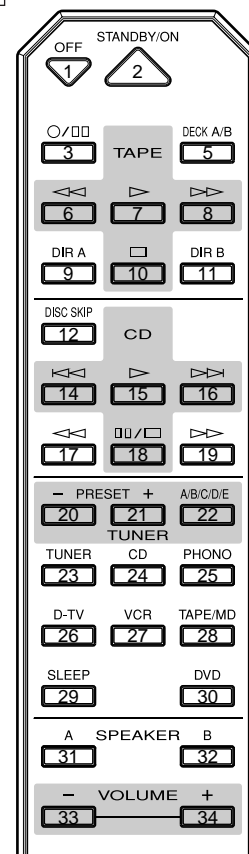
● SCHEMATIC DIAGRAM



Function Keychart

Key No.	Function	Custom Code (Hex)	Data
1	OFF	7A	1E
2	STANDBY/ON	7A	1F
3	○/□	7A	04
5	DECK A/B	7A	06
6	TAPE ◀	7A	01
7	TAPE ▶	7A	00
8	TAPE ⇄	7A	02
9	DIR A	7A	07
10	TAPE □	7A	03
11	DIR B	7A	40
12	DISC SKIP	7A	4F
14	CD ◀	7A	0B
15	CD ▶	7A	08
16	CD ⇄	7A	0A
17	CD ◀	7A	0D
18	CD □/□	7A	09
19	CD ▶	7A	0C
20	PRESET -	7A	11

Key No.	Function	Custom Code (Hex)	Data
21	PRESET +	7A	10
22	A/B/C/D/E	7A	12
23	TUNER	7A	16
24	CD	7A	15
25	PHONO	7A	14
26	D-TV	7A	54
27	VCR	7A	0F
28	TAPE/MD	7A	18
29	SLEEP	7A	57
30	DVD	7A	17
31	SPEAKER A	7A	9A
32	SPEAKER B	7A	9B
33	VOLUME -	7A	1B
34	VOLUME +	7A	1A



5

6

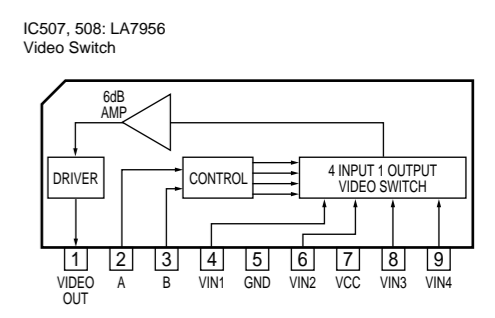
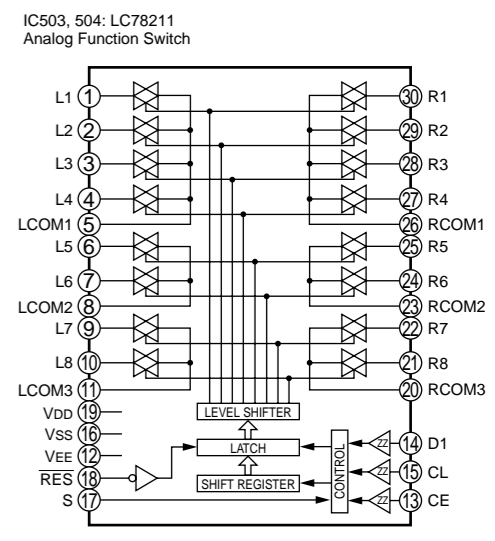
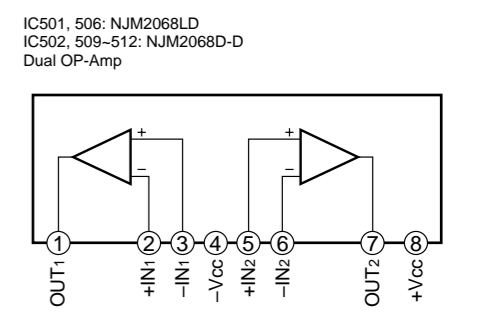
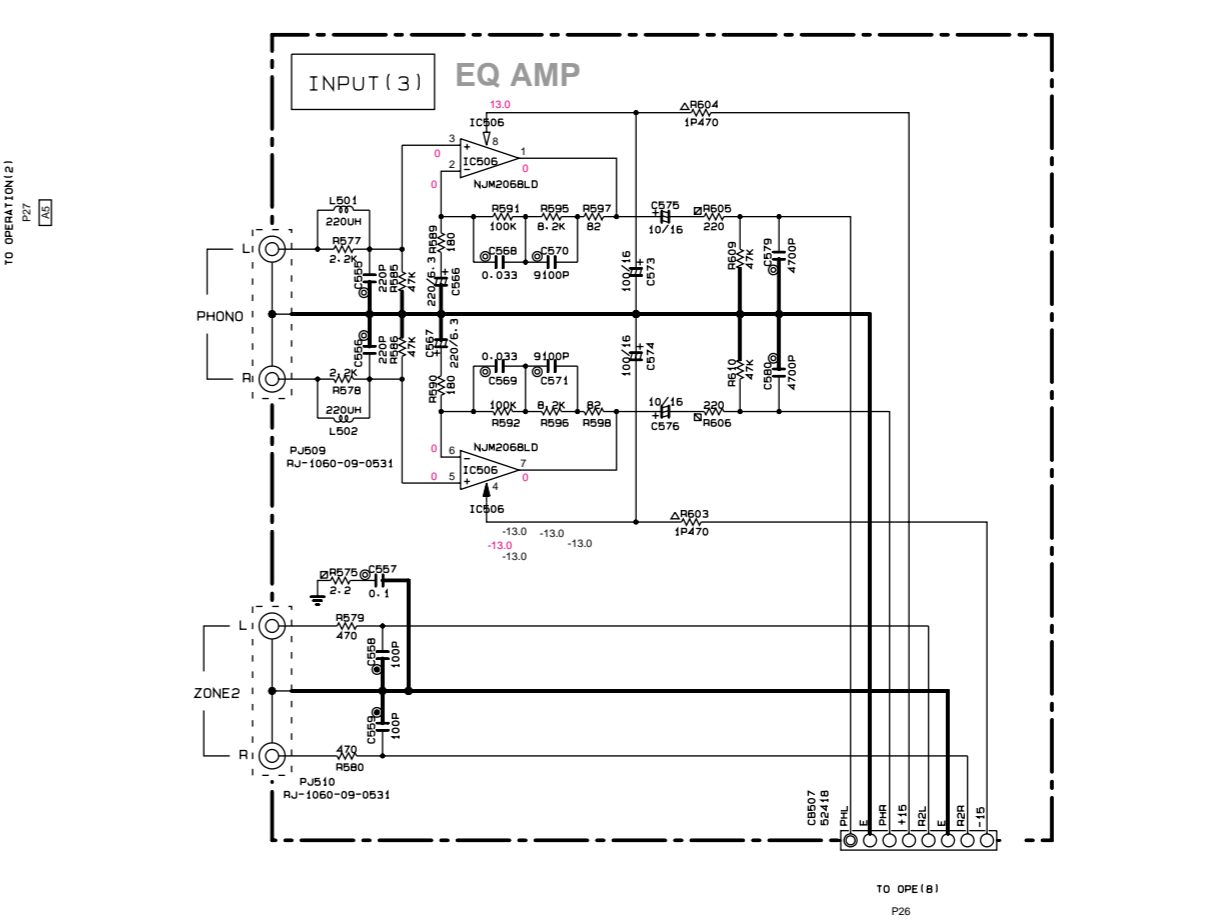
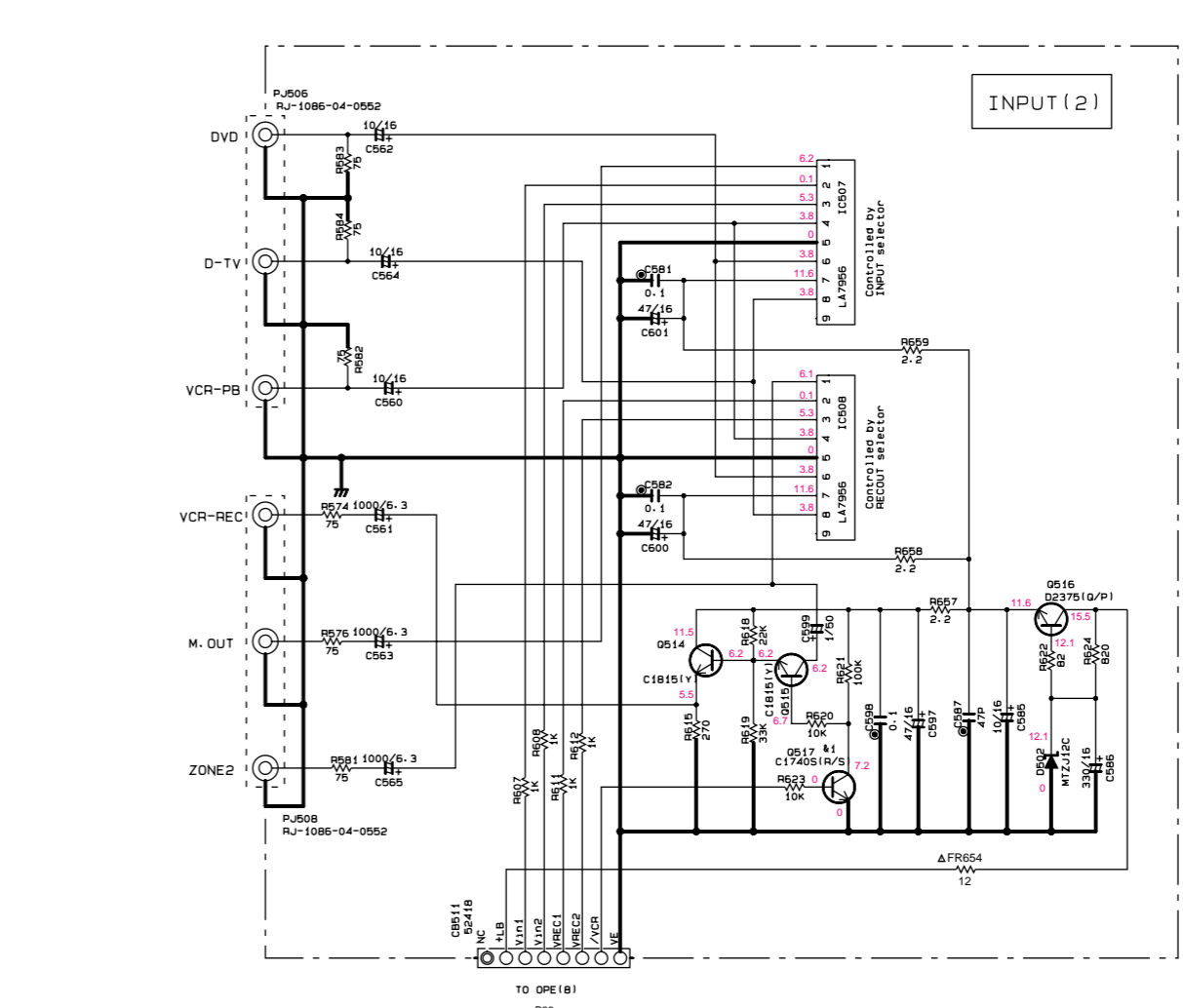
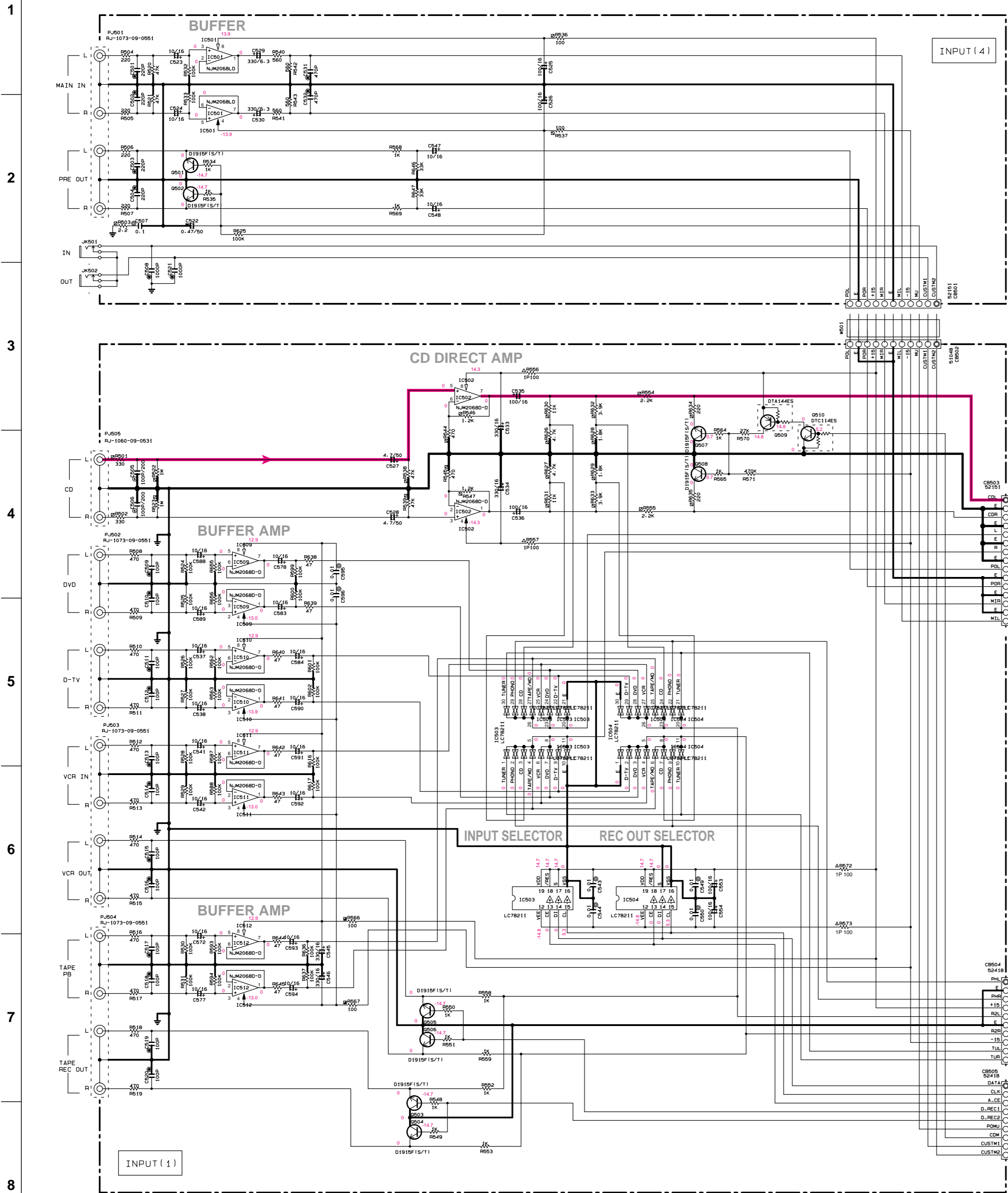
7

RX-777



RX-777

SCHEMATIC DIAGRAM (INPUT)



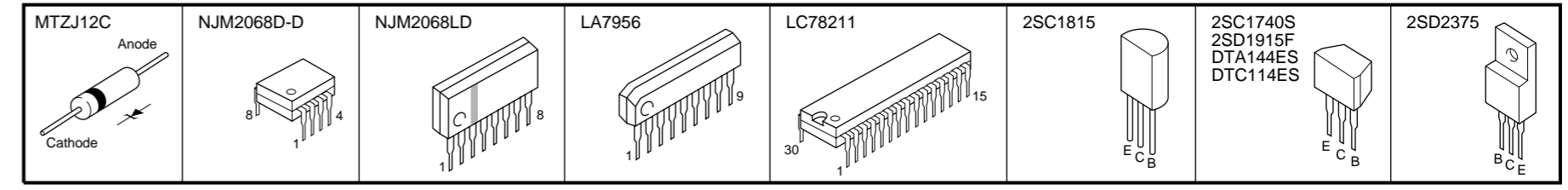
★ All voltage are measured with a 10MΩ/V DC electric volt meter.
 ★ Components having special characteristics are marked Δ and must be replaced with parts having specifications equal to those originally installed.
 ★ Schematic diagram is subject to change without notice.

NOTICE (model)
 (J)..... JAPANESE
 (U)..... U.S.A
 (C)..... CANADIAN
 (R)..... GENERAL
 (A)..... AUSTRALIAN
 (B)..... BRITISH
 (G)..... EUROPEAN
 (T)..... CHINA
 (L)..... SINGAPORE

REMARKS	PARTS NAME
NO MARK	CARBON FILM RESISTOR (P=5)
\square	CARBON FILM RESISTOR (P=10)
Δ	METAL FILM RESISTOR
\square	METAL PLATE RESISTOR
\square	FIRE PROOF CARBON FILM RESISTOR
\square	CEMENT MOLDED RESISTOR
\square	SEMI VARIABLE RESISTOR
\square	CHIP RESISTOR

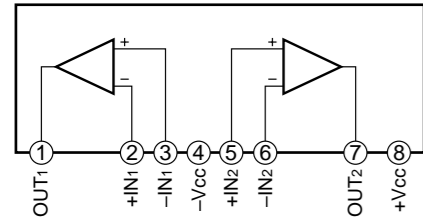
REMARKS	PARTS NAME
NO MARK	ELECTROLYTIC CAPACITOR
\square	TANTALUM CAPACITOR
NO MARK	CERAMIC CAPACITOR
\square	CERAMIC TUBULAR CAPACITOR
\square	POLYESTER FILM CAPACITOR
\square	POLYSTYRENE FILM CAPACITOR
\square	MICA CAPACITOR
\square	POLYPROPYLENE FILM CAPACITOR
\square	SEMICONDUCTIVE CERAMIC CAPACITOR

Interchangeable Parts at Manufacture Stage		
Max. Reference Parts Number	Parts Name	
41 0517	2SC1740S 2SD1915F 2SC2603(E/F) 2SC3114(G/R/S)	

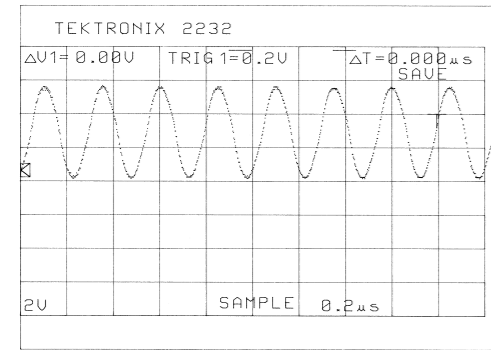


RX-777
SCHEMATIC DIAGRAM (OPERATION 1/2)

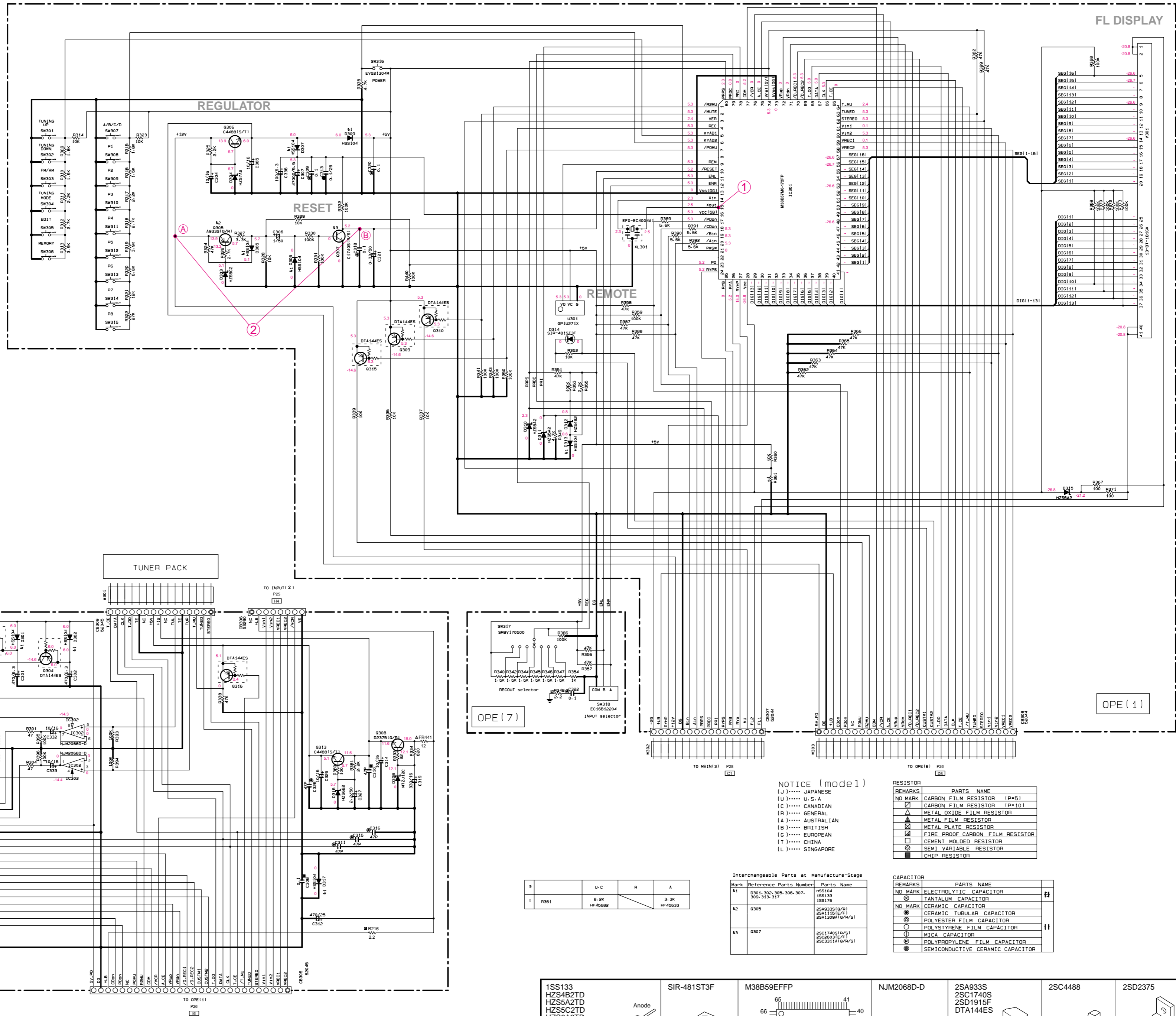
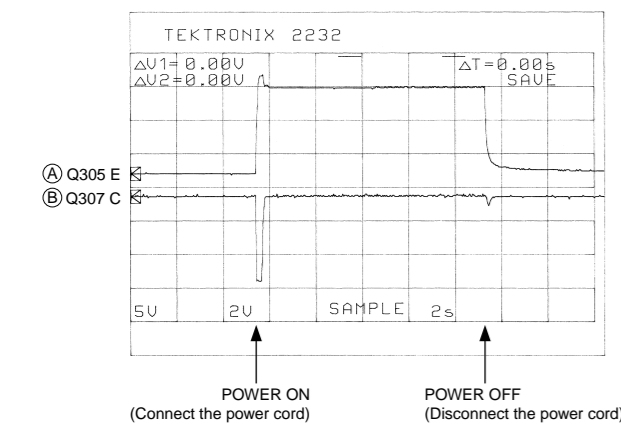
IC302: NJM2068D-D
 Dual OP-Amp



Point ① Pin 15 of IC301



Point ② emitter of Q305
 and collector of Q307



NOTICE (model)

- (J)..... JAPANESE
- (U)..... U.S. A
- (C)..... CANADIAN
- (R)..... GENERAL
- (A)..... AUSTRALIAN
- (B)..... BRITISH
- (G)..... EUROPEAN
- (T)..... CHINA
- (L)..... SINGAPORE

REMARKS	PARTS NAME
NO MARK	CARBON FILM RESISTOR (P+B)
□	CARBON FILM RESISTOR (P=10)
△	METAL OXIDE FILM RESISTOR
▲	METAL FILM RESISTOR
⊠	METAL PLATE RESISTOR
■	FIRE-PROOF CARBON FILM RESISTOR
⊞	CEMENT MOLDED RESISTOR
⊚	SEMI-VARIABLE RESISTOR
■	CHIP RESISTOR

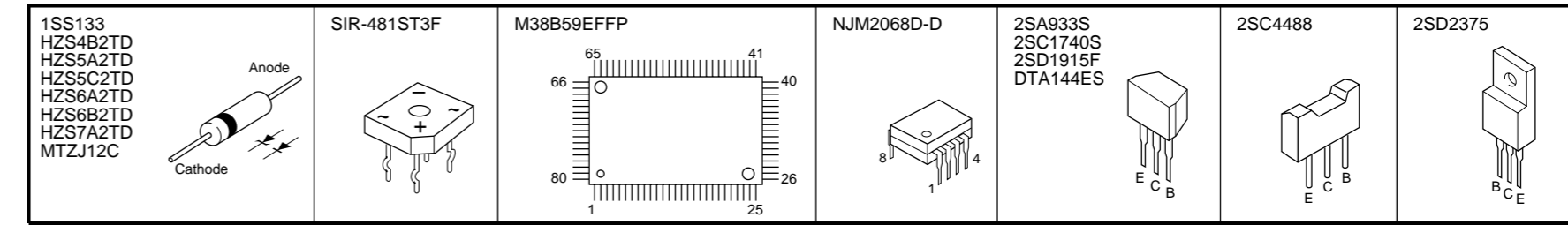
Interchangeable Parts at Manufacture-Stage

Mark	Reference Parts Number	Parts Name
41	0301, 300, 306, 308, 307, 309, 313, 317	H5S104, H5S133, H5S176
42	0305	2SA933S(G/R), 2SA1115E(F), 2SA1308(G/R/S)
43	0307	2SC1740S(I/R/S), 2SC8033E(V), 2SC3311(G/R/S)

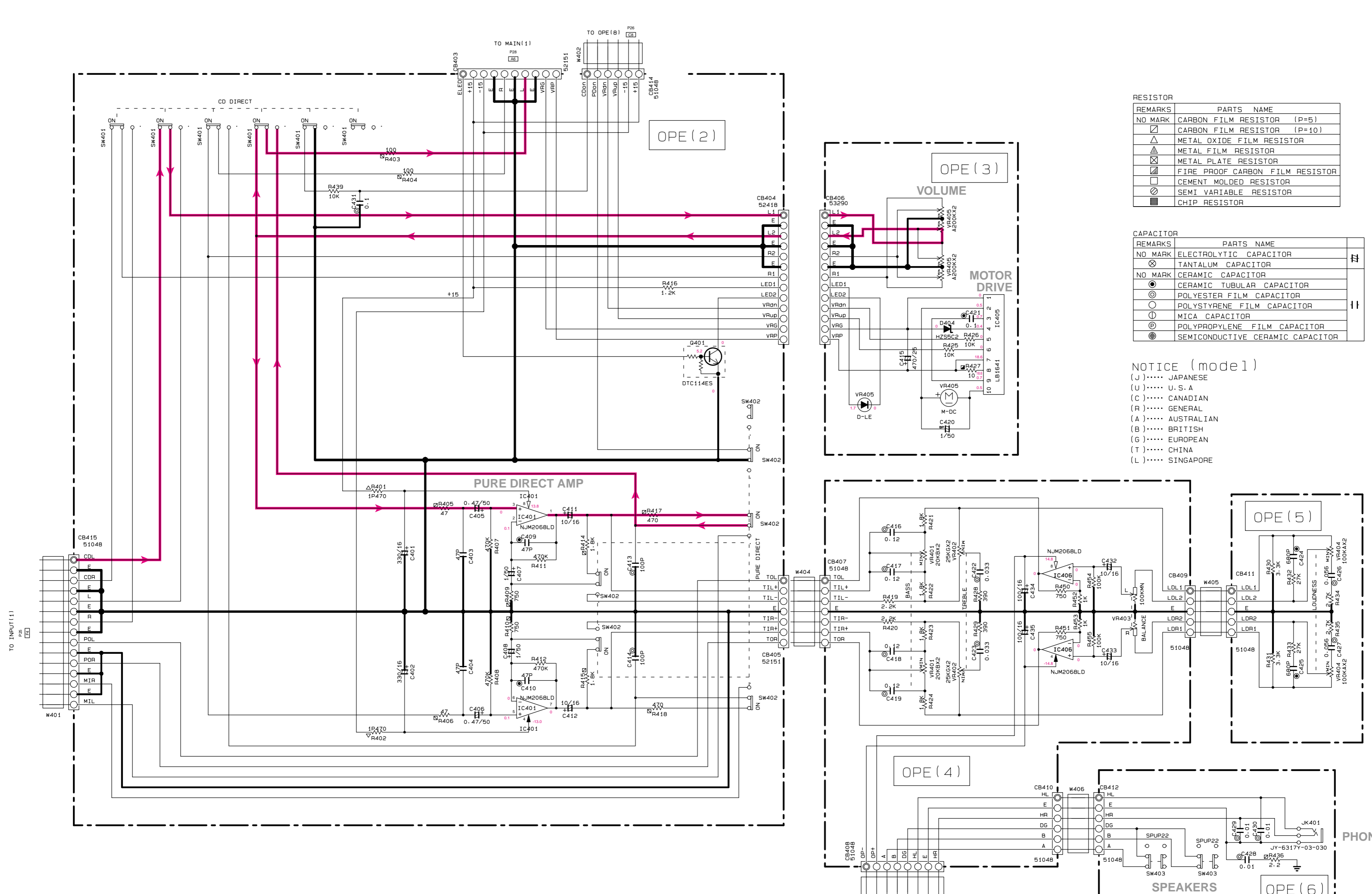
CAPACITOR

REMARKS	PARTS NAME
NO MARK	ELECTROLYTIC CAPACITOR
⊗	TANTALUM CAPACITOR
NO MARK	CERAMIC CAPACITOR
⊙	CERAMIC TUBULAR CAPACITOR
○	POLYESTER FILM CAPACITOR
○	POLYSTYRENE FILM CAPACITOR
⊖	MICA CAPACITOR
⊕	POLYPROPYLENE FILM CAPACITOR
⊙	SEMICONDUCTIVE CERAMIC CAPACITOR

★ All voltage are measured with a 10MΩ/V DC electric volt meter.
 ★ Components having special characteristics are marked Δ and must be replaced with parts having specifications equal to those originally installed.
 ★ Schematic diagram is subject to change without notice.



■ SCHEMATIC DIAGRAM (OPERATON 2/2)



RESISTOR

REMARKS	PARTS NAME
NO MARK	CARBON FILM RESISTOR (P=5)
☑	CARBON FILM RESISTOR (P=10)
△	METAL OXIDE FILM RESISTOR
▲	METAL FILM RESISTOR
☒	METAL PLATE RESISTOR
▨	FIRE PROOF CARBON FILM RESISTOR
□	CEMENT MOLDED RESISTOR
⊕	SEMI VARIABLE RESISTOR
■	CHIP RESISTOR

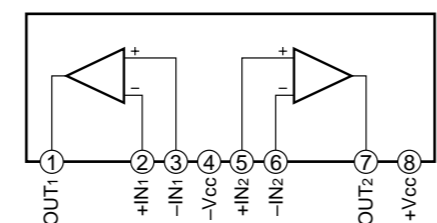
CAPACITOR

REMARKS	PARTS NAME
NO MARK	ELECTROLYTIC CAPACITOR
⊗	TANTALUM CAPACITOR
NO MARK	CERAMIC CAPACITOR
⊙	CERAMIC TUBULAR CAPACITOR
○	POLYESTER FILM CAPACITOR
○	POLYSTYRENE FILM CAPACITOR
○	MICA CAPACITOR
⊕	POLYPROPYLENE FILM CAPACITOR
⊗	SEMICONDUCTIVE CERAMIC CAPACITOR

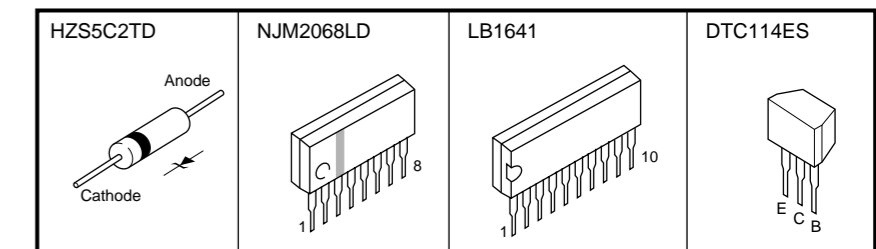
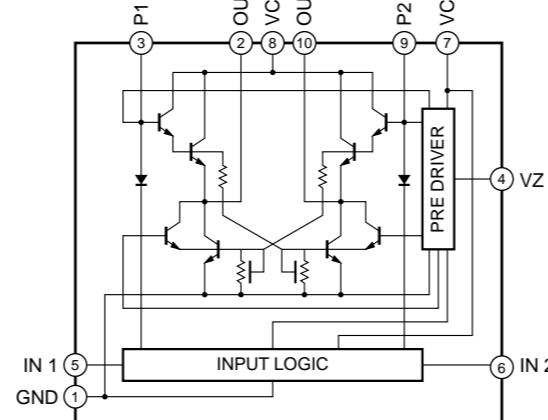
NOTICE (model)

(J)..... JAPANESE
 (U)..... U.S. A
 (C)..... CANADIAN
 (R)..... GENERAL
 (A)..... AUSTRALIAN
 (B)..... BRITISH
 (G)..... EUROPEAN
 (T)..... CHINA
 (L)..... SINGAPORE

IC401: NJM2068LD
Dual OP-Amp

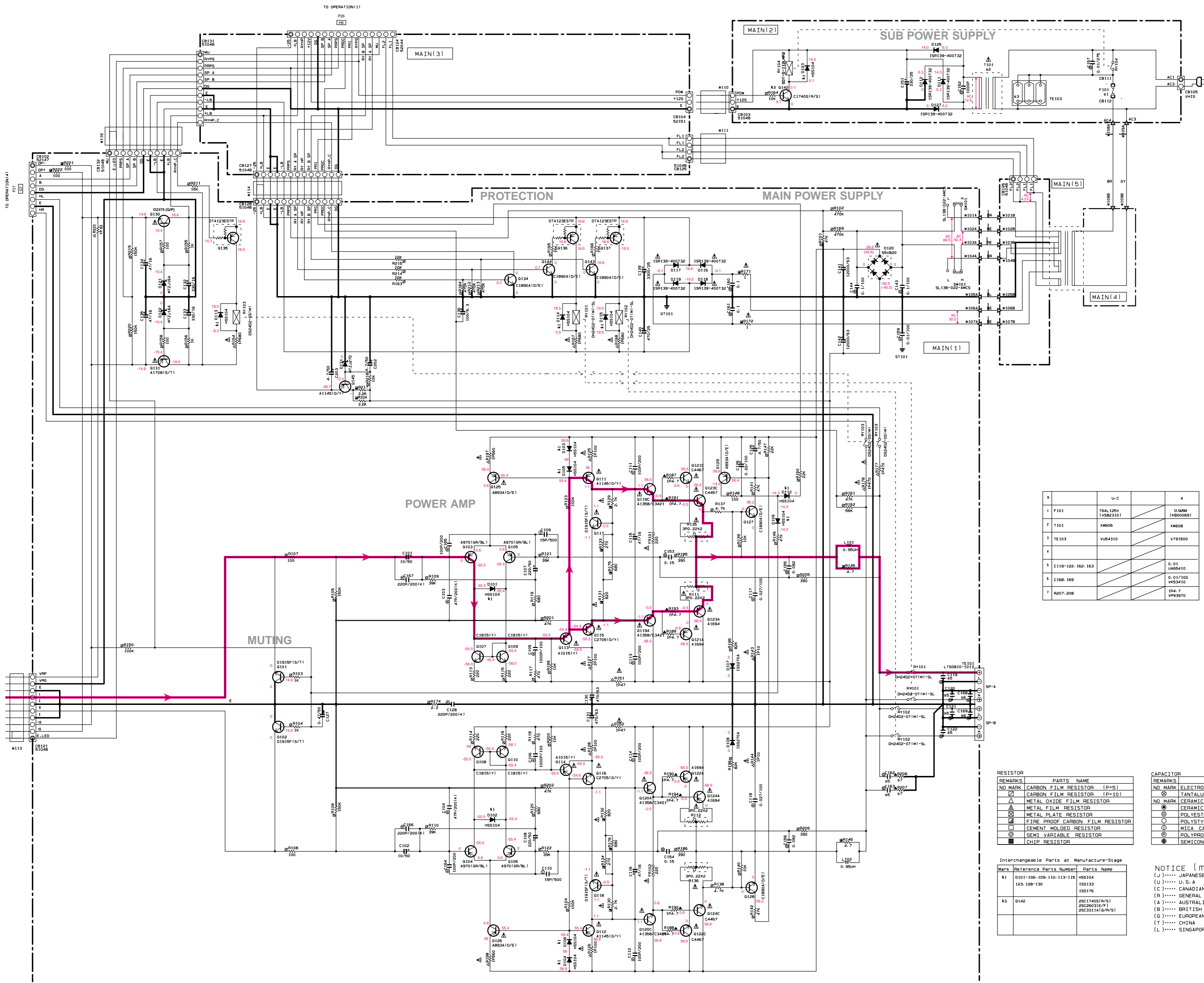


IC405: LB1641
Motor Driver



★ All voltage are measured with a 10MΩ/V DC electric volt meter.
 ★ Components having special characteristics are marked △ and must be replaced with parts having specifications equal to those originally installed.
 ★ Schematic diagram is subject to change without notice.

RX-777
SCHEMATIC DIAGRAM (MAIN)



1SR139 1SS133 1SS270A MTZ116A MTZ127D	
S5VB20	
2SC1740S 2SD1915F DTA123ESTP	
2SA893A 2SA970 2SA1015 2SA1145 2SC1815 2SC1890A 2SC2705	
2SA1358 2SC3421	
2SA1694 2SC4467	
2SA1708 2SC4488	

S	U-C	A
1 F101	TEAL 125V LV682101	1B300W (H800069)
2 T101	W606	W606
3 TE103	VU64310	VT91500
4		
5 C119-122, 162-163		0.01 W65410
6 C168-169		0.01/100 W653410
7 R207-208		1P4.7 V993970

REMARKS	PARTS NAME
NO MARK	CARBON FILM RESISTOR (P=5)
□	CARBON FILM RESISTOR (P=10)
△	METAL OXIDE FILM RESISTOR
▭	METAL FILM RESISTOR
▭	METAL PLATE RESISTOR
▭	FILM PROOF CARBON FILM RESISTOR
▭	CEMENT MOLDED RESISTOR
▭	SEMI VARIABLE RESISTOR
▭	CHIP RESISTOR

REMARKS	PARTS NAME
NO MARK	ELECTROLYTIC CAPACITOR
⊗	TANTALUM CAPACITOR
NO MARK	CERAMIC CAPACITOR
⊙	CERAMIC TUBULAR CAPACITOR
⊙	POLYESTER FILM CAPACITOR
○	POLYSTYRENE FILM CAPACITOR
⊙	MICA CAPACITOR
⊙	POLYPROPYLENE FILM CAPACITOR
⊙	SEMICONDUCTIVE CERAMIC CAPACITOR

Interchangeable Parts at Manufacture-Stage

Mark	Reference Parts Number	Parts Name
41	0101-106-109-110-113-115 123-128-130	HS5104 19S133 19S176
43	0142	2SC1740S(B/S) 2SC3631E/F1 2SC3311A(G/R/S)

NOTICE (model)

(J)..... JAPANESE
 (U)..... U.S.A.
 (C)..... CANADIAN
 (R)..... GENERAL
 (A)..... AUSTRALIAN
 (B)..... BRITISH
 (G)..... EUROPEAN
 (T)..... CHINA
 (L)..... SINGAPORE

★ All voltage are measured with a 10MΩ/V DC electric volt meter.
 ★ Components having special characteristics are marked Δ and must be replaced with parts having specifications equal to those originally installed.
 ★ Schematic diagram is subject to change without notice.